



## Main Features:-

- ◆ 60Nm Break - 50Nm Run Torque
- ◆ Basic Series On Off, Failsafe & Hi Speed
- ◆ Smart Series On Off, Modulating, Failsafe, Bus Communication and Hi Speed
- ◆ F05-07 x 14mm ISO 5211 - IP67 Housing

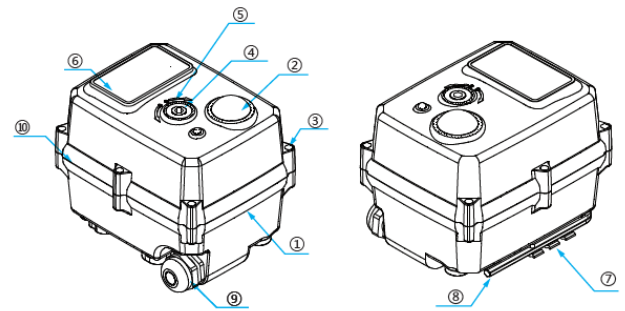
Approvals & Certification Available:



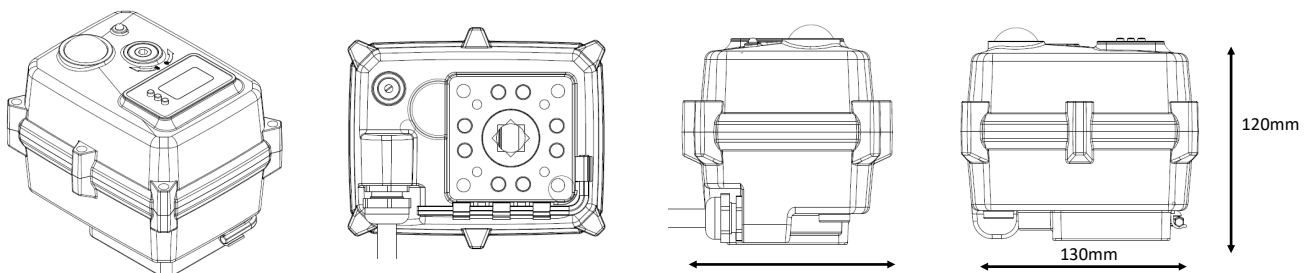
## SERIES: AVA-50

MANUFACTURER: SMART ACTUATORS

| No | PART                         | MATERIALS      |
|----|------------------------------|----------------|
| 1  | ACTUATOR HOUSING             | ABS            |
| 2  | INDICATOR                    | TRANSPARENT AS |
| 3  | SCREWS IN COVER              | 304            |
| 4  | MANUAL OVERRIDE SHAFT        | 304            |
| 5  | MANUAL OVERRIDE SEAL         | NBR            |
| 6  | LABEL                        | PVC            |
| 8  | MANUAL OVERRIDE WRENCH       | STEEL          |
| 9  | WEATHERPROOF CABLE CONNECTOR | NYLON          |
| 10 | COVER SEAL                   | NBR            |



## DIMENSIONS



## UNIQUE SMART ACTUATOR SERIES INTRODUCING SMART SCREEN AND MENU SYSTEM



- M button is used to enter and switch menus.
- K2 is used in conjunction with K3 for adjusting values.
- K3 is used for changing settings, navigating menus, exiting and saving.
- OLED Screen with clear blue letters against a black background

ACTUATOR DIMENSIONS

T +44 (0)1386 552369

W www.allvalves.co.uk

E sales@allvalves.co.uk

F +44 (0)1386 554227



AVA is a feature rich, compact actuator series. Whilst small in size, the actuator offers all the features you would want from your electric actuator, IP67 housing, heater and position feedback !



## SERIES: AVA-50

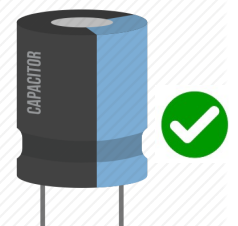
### BASIC ON OFF AND FAILSAFE ACTUATOR SERIES TECHNICAL DATA

| Model: AVA B50 50Nm BASIC ON-OFF & AVA B54 FAILSAFE ELECTRIC ACTUATORS |  |                         |                         |                         |                         |
|--|--|-------------------------|-------------------------|-------------------------|-------------------------|
| Specification  | AC 1ph 50/60Hz   |                         |                         | DC                      |                         |
| Rated Voltage  | AC230V   | AC110V                  | AC24V                   | DC24V                   | DC12V                   |
| Voltage Range  | 95-265V  | 95-265V                 | 18-26V                  | 22-32V                  | 22-32V                  |
| Consumption B50  | 10.8W Run / 1.44W hold   | 10.8W Run / 1.44W hold  | 10.8W Run / 1.92W hold  | 10.8W Run / 1.92W hold  | 10.8W Run / 1.92W hold  |
| Peak current B50   | 0.18A @5ms   | 0.83A @ 5ms             | 0.83A @ 5ms             | 0.83A @ 5ms             | 0.83A @ 5ms             |
| Consumption B54  | 40W Running/ 1.92W hold  | 40W Running/ 1.92W hold | 40W Running/ 1.92W hold | 39W Running/ 1.44W hold | 39W Running/ 1.44W hold |
| Peak current B54   | 1.6 @ 5ms  | 1.6 @ 5ms               | 1.6 @ 5ms               | 1.8 @ 5ms               | 1.8 @ 5ms               |
| Fuse B50   | 2A   | 2A                      | 2A                      | 4A                      | 4A                      |
| Fuse B54   | 2A   | 2A                      | 2A                      | 10A                     | 10A                     |
| Maximum Break Torque Nm  | 60Nm   |                         |                         | 60Nm                    | 60Nm                    |
| Run & Reseat Torque Nm   | 50Nm   |                         |                         | 50Nm                    |                         |
| Manual operation   | Yes, by hexagonal wrench (supplied in clip) when no power is being applied                                 |                         |                         |                         |                         |
| Run time B50   | 10-12 Seconds  |                         |                         | 10-12 Seconds           |                         |
| Run time B54   | 10-15 Seconds  |                         |                         | 10-15 Seconds           |                         |
| <b>STANDARD FEATURES:</b>  |  |                         |                         |                         |                         |
| Operating frequency  | Not continuous, allow $\geq 1$ minute between cycles   |                         |                         |                         |                         |
| Position confirmation  | Mechanically driven dome style visual 2 colour indicator   |                         |                         |                         |                         |
| Mounting restriction   | None, can be mounted at any angle. Leave room for space to operate manually, and for electrical connection |                         |                         |                         |                         |
| End Position indication  | Micro-switches operated by adjustable internal cams , set slightly ahead of the final motor stop position. |                         |                         |                         |                         |
| ISO:5211   | F05 & F07  |                         |                         |                         |                         |
| Working Angle  | Factory set at $90^\circ \pm 2^\circ$ , maximum angle of rotation $360^\circ$                              |                         |                         |                         |                         |
| Female drive   | 14mm x 17mm deep   |                         |                         |                         |                         |
| Ingress protection   | IP67   |                         |                         |                         |                         |
| Max media temp   | $\leq 80C$   |                         |                         |                         |                         |
| Ambient temp   | -20 to +60C (ABS) -20 to +80C (Aluminium) Non-operating temp ; $\leq -40C$ to $\geq 80C$                   |                         |                         |                         |                         |
| Cable Length   | Flying lead 0.8m as standard with 7 core cable 0.2mm voltage rated AC300V                                  |                         |                         |                         |                         |
| Ambient humidity   | 5-95% RH non-condensing  |                         |                         |                         |                         |
| Explosion proof  | No, prohibited. Do not use in hazardous areas  |                         |                         |                         |                         |
| Housing  | Plastic (ABS)  |                         |                         |                         |                         |
| Weight   | With standard ABS housing 0.78kg (With optional aluminium housing 0.98kg)                                  |                         |                         |                         |                         |

ACTUATOR SPECIFICATIONS

### AVA'S FAILSAFE CAPACITOR OPTION EXPLAINED - AVA ACTUATORS DO NOT USE BATTERIES!

AVA Actuators do not use Lithium batteries to achieve its failsafe functionality. Unlike most other actuators offering failsafe, AVA uses the latest electrical capacitor technology. This is seen as the next best thing for fail-safe solution if a mechanical spring is not available. AVA actuators use the opening (or closing if normally open) to charge the actuator and ensure the actuator will close on power loss.



T +44 (0)1386 552369

E sales@allvalves.co.uk

W www.allvalves.co.uk

F +44 (0)1386 554227



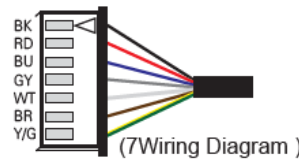
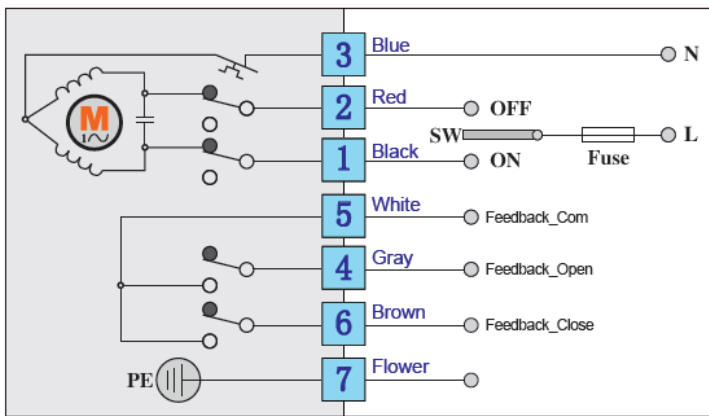
AVA is a revolutionary range of compact actuators offering 20Nm through to 400Nm with On Off, Failsafe, Modulating, Hi Speed functionality. All actuators are IP67 as standard, ISO 5211 direct mount.

## SERIES: AVA-50

### BASIC ON OFF AND FAILSAFE ACTUATOR SERIES TECHNICAL DATA

#### Standard Wiring for our ON-OFF Actuators B50

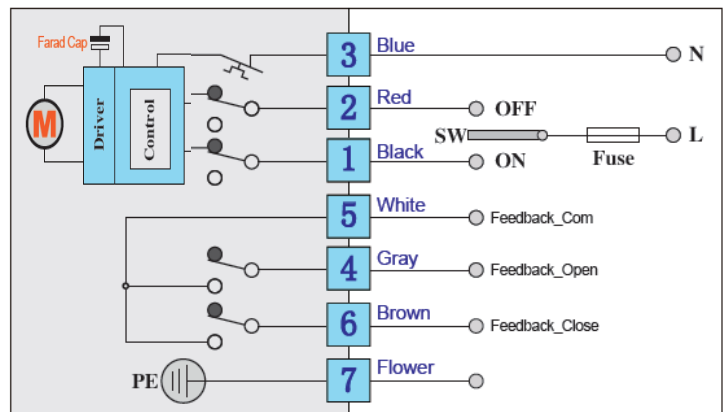
Standard Wiring for our AVA Basic 50 series actuators including all voltages, 12VDC, 24VDC, 24VAC, 110VAC, 220VAC, 24VAC/DC and 95-265VAC 50/60Hz. Our ON-OFF actuators use a simple 3 wire system for control and 3 wire feedback connection as below. Note that the internal Space heater is pre wired and doesn't require additional wiring. When the actuator is powered, the internal heater will operate.



#### Standard Wiring for our FAILSAFE Actuators B54

Standard Wiring for our AVA Basic 54 series actuators including all voltages, 12VDC, 24VDC, 24VAC, 110VAC, 220VAC, 24VAC/DC and 95-265VAC 50/60Hz. Our Failsafe actuators use a simple 2 wire system for control and 3 wire feedback connection as below. The Failsafe actuators use capacitors and as such will require an initial charge period. After this point, the actuator will charge whilst opening and on removing power from Pin 2 (Red) the actuator will close. Re applying power to Pin 2 will Open the actuator and again charge the capacitor.

Note that the internal Space heater is pre wired and doesn't require additional wiring. When the actuator is powered, the internal heater will operate.





AVA is a revolutionary range of compact actuators offering 20Nm through to 400Nm with On Off, Failsafe, Modulating, Hi Speed functionality. All actuators are IP67 as standard, ISO 5211 direct mount.

## SERIES: AVA-50

### SMART ON OFF AND SMART FAILSAFE ACTUATOR SERIES TECHNICAL DATA

#### Model: AVA S5010 50Nm SMART ON-OFF & AVA S5014 SMART FAILSAFE

| Specification              | High Voltage   |  | Low Voltage            |                        |
|----------------------------|--|--|------------------------|------------------------|
|                            |  |  |                        |                        |
| Rated Voltage              | 95-265VAC  |  | 24VAC/DC               | DC12V                  |
| Voltage Range              | 95-265V  |  | 18-26VAC / 22-32VDC    | 12VDC                  |
| Consumption S5010          | 35W Run / 1.44W hold   |  | 10.8W Run / 1.92W hold | 10.8W Run / 1.92W hold |
| Peak current S5010         | 35mA @ 5ms @ AC 230V 75ma 110V   |  | 0.83A @ 5ms DC24V      | 0.83A @ 5ms DC12V      |
| Consumption S5014          | 40W Run / 1.92W Hold   |  | 39W Run / 1.44W Hold   | 39W Run / 1.44W Hold   |
| Peak current S5014         | 0.18A @ 5ms 230V   |  | 1.8A @ 5ms 24VDC       | 1.8A @ 5ms 24VDC       |
| Fuse S5010                 | 2A   |  | 4A                     | 4A                     |
| Fuse S5014                 | 2A   |  | 10A                    | 10A                    |
| Maximum Break Torque Nm    | 60Nm   |  | 60Nm                   | 60Nm                   |
| Run & Reseat Torque Nm     | 50Nm   |  | 50Nm                   |                        |
| Manual operation           | Yes, by hexagonal wrench (supplied in clip) when no power is being applied |  |                        |                        |
| Run time 0-90 degree S5010 | 10-12 Seconds  |  | 10-12 Seconds          | 10-12 Seconds          |
| Run time 0-90 degree S5014 | 10-15 Seconds  |  | 10-15 Seconds          | 10-15 Seconds          |

#### STANDARD FEATURES:

|                         |   |  |  |
|-------------------------|---|--|--|
| Operating frequency     | Not continuous, 75% duty cycle but recommended to allow $\geq 1$ minute between cycles. DC uses Brushless Motor |  |  |
| Position confirmation   | Magnetic with digital sensing. No mechanical cams fitted.   |  |  |
| Mounting restriction    | None, can be mounted at any angle. Leave room for space to operate manually, and for electrical connection      |  |  |
| End Position indication | Micro-switches operated by adjustable internal cams, set slightly ahead of the final motor stop position.       |  |  |
| ISO:5211                | F05 & F07 with 14mm x 17mm deep female drive.   |  |  |
| Working Angle           | Factory set at $90^\circ \pm 2^\circ$ , maximum angle of rotation $360^\circ$                                   |  |  |
| Smart Screen            | 1.3" Colour OLED screen with touch buttons used for display and menu to customise functionality of actuator     |  |  |
| Ingress protection      | IP67  |  |  |
| Max media temp          | $\leq 80C$  |  |  |
| Ambient temp            | -20 to +60C (ABS) -20 to +80C (Aluminium) Non-operating temp ; $\leq -40C$ to $\geq 80C$                        |  |  |
| Cable Length            | Flying lead 0.8m as standard with 7 core cable 0.2mm voltage rated AC300V                                       |  |  |
| Ambient humidity        | 5-95% RH non-condensing   |  |  |
| Explosion proof         | No, prohibited. Do not use in hazardous areas   |  |  |
| Housing                 | Plastic (ABS)   |  |  |
| Weight                  | With standard ABS housing 0.78kg (With optional aluminium housing 0.98kg)                                       |  |  |
| Options                 | Extended flying lead option, per metre. Alarm output relays. LED Status light.                                  |  |  |





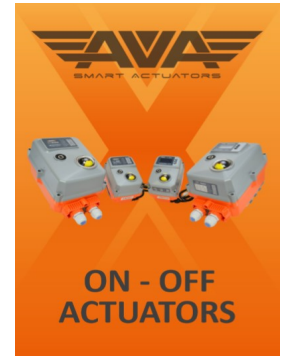
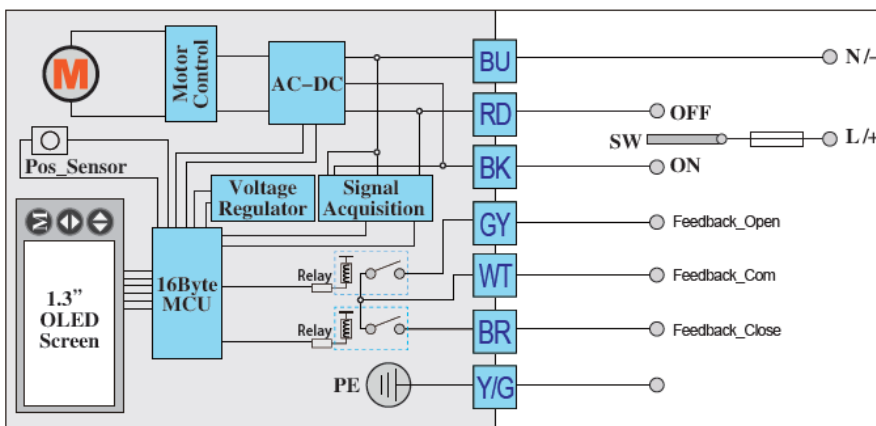
AVA is a revolutionary range of compact actuators offering 20Nm through to 400Nm with On Off, Failsafe, Modulating, Hi Speed functionality. All actuators are IP67 as standard, ISO 5211 direct mount.

## SERIES: AVA-50

### SMART ON OFF AND SMART FAILSAFE ACTUATOR SERIES TECHNICAL DATA

#### Standard Wiring for our ON-OFF Actuators 5010

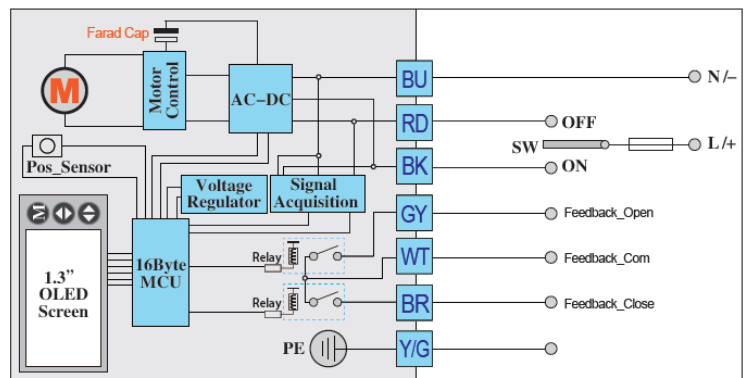
Standard Wiring for our AVA Smart 50 series actuators including all voltages, 12VDC, 24VAC/DC and 95-265VAC 50/60Hz. Our ON-OFF actuators use a simple 3 wire system for control and 3 wire feedback connection as below. Note that the internal Space heater is pre wired and doesn't require additional wiring. When the actuator is powered, the internal heater will operate. [See page 11 for additional wiring configurations](#)



#### Standard Wiring for our FAILSAFE Actuators S5014

Standard Wiring for our AVA Smart Failsafe actuators including all voltages, 12VDC, 24VAC/DC and 95-265VAC 50/60Hz. Our Failsafe actuators use a simple 2 wire system for control and 3 wire feedback connection as below. The Failsafe actuators use capacitors and as such will require an initial charge period. After this point, the actuator will charge whilst opening and on removing power from Pin 2 (Red) the actuator will close. Re applying power to Pin 2 will Open the actuator and again charge the capacitor.

Note that the internal Space heater is pre wired and doesn't require additional wiring. When the actuator is powered, the internal heater will operate.



WIRING DIAGRAMS







AVA is a revolutionary range of compact actuators offering 20Nm through to 400Nm with On Off, Failsafe, Modulating, Hi Speed functionality. All actuators are IP67 as standard, ISO 5211 direct mount.

## SERIES: AVA-50

### SMART MODULATING AND MODULATING FAILSAFE TECHNICAL DATA

#### Model: AVA S5010 50Nm SMART ON-OFF & AVA S5014 SMART FAILSAFE

| Specification              | High Voltage   | Low Voltage            |                        |
|----------------------------|--|------------------------|------------------------|
| Rated Voltage              | 95-265VAC  | 24VAC/DC               | DC12V                  |
| Voltage Range              | 95-265V  | 18-26VAC / 22-32VDC    | 12VDC                  |
| Consumption S5010          | 35W Run / 1.44W hold   | 10.8W Run / 1.92W hold | 10.8W Run / 1.92W hold |
| Peak current S5010         | 35mA @ 5ms @ AC 230V 75ma 110V   | 0.83A @ 5ms DC24V      | 0.83A @ 5ms DC12V      |
| Consumption S5014          | 40W Run / 1.92W Hold   | 39W Run / 1.44W Hold   | 39W Run / 1.44W Hold   |
| Peak current S5014         | 0.18A @ 5ms 230V   | 1.8A @ 5ms 24VDC       | 1.8A @ 5ms 24VDC       |
| Fuse S5010                 | 2A   | 4A                     | 4A                     |
| Fuse S5014                 | 2A   | 10A                    | 10A                    |
| Maximum Break Torque Nm    | 60Nm   | 60Nm                   | 60Nm                   |
| Run & Reseat Torque Nm     | 50Nm   | 50Nm                   |                        |
| Manual operation           | Yes, by hexagonal wrench (supplied in clip) when no power is being applied |                        |                        |
| Run time 0-90 degree S5010 | 10-12 Seconds  | 10-12 Seconds          | 10-12 Seconds          |
| Run time 0-90 degree S5014 | 10-15 Seconds  | 10-15 Seconds          | 10-15 Seconds          |

#### STANDARD FEATURES:

|                         |   |
|-------------------------|---|
| Operating frequency     | Not continuous, 75% duty cycle but recommended to allow $\geq 1$ minute between cycles. DC uses Brushless Motor |
| Position confirmation   | Magnetic with digital sensing. No mechanical cams fitted.   |
| Mounting restriction    | None, can be mounted at any angle. Leave room for space to operate manually, and for electrical connection      |
| End Position indication | Micro-switches operated by adjustable internal cams, set slightly ahead of the final motor stop position.       |
| ISO:5211                | F05 & F07 with 14mm x 17mm deep female drive.   |
| Working Angle           | Factory set at $90^{\circ} \pm 2^{\circ}$ , maximum angle of rotation $360^{\circ}$                             |
| Smart Screen            | 1.3" Colour OLED screen with touch buttons used for display and menu to customise functionality of actuator     |
| Ingress protection      | IP67  |
| Max media temp          | $\leq 80C$  |
| Ambient temp            | -20 to +60C (ABS) -20 to +80C (Aluminium) Non-operating temp ; $\leq -40C$ to $\geq 80C$                        |
| Cable Length            | Flying lead 0.8m as standard with 7 core cable 0.2mm voltage rated AC300V                                       |
| Ambient humidity        | 5-95% RH non-condensing   |
| Explosion proof         | No, prohibited. Do not use in hazardous areas   |
| Housing                 | Plastic (ABS)   |
| Weight                  | With standard ABS housing 0.78kg (With optional aluminium housing 0.98kg)                                       |
| Options                 | Extended flying lead option, per metre. Alarm output relays. LED Status light.                                  |





AVA is a revolutionary range of compact actuators offering 20Nm through to 400Nm with On Off, Failsafe, Modulating, Hi Speed functionality. All actuators are IP67 as standard, ISO 5211 direct mount.

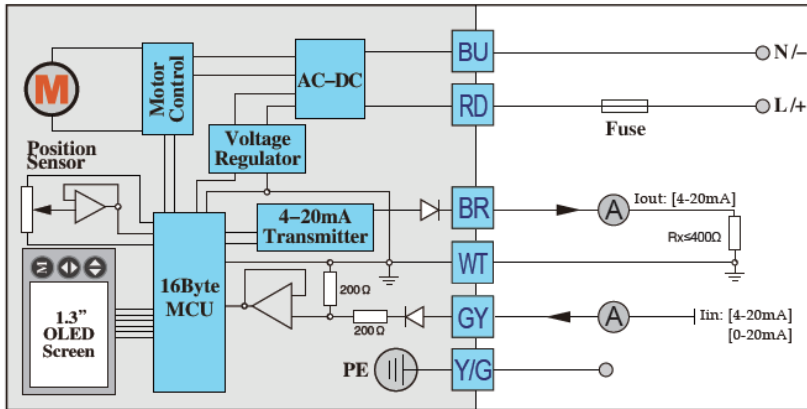
## SERIES: AVA-50

### SMART MODULATING AND MODULATING FAILSAFE TECHNICAL DATA

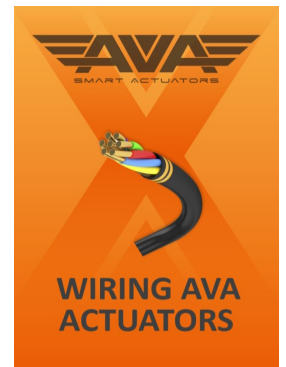
#### Standard Wiring for our Modulating Actuators 5025

Standard Wiring for our AVA Smart 50 series actuators including all voltages, 12VDC, 24VAC/DC and 95-265VAC 50/60Hz. Our ON-OFF actuators use a simple 2 wire system for power and 3 wire control and feedback connection as below and 3 wire input/ output and common loop for modulating control. Note that the internal Space heater is pre wired and doesn't require additional wiring. When the actuator is powered, the internal heater will operate. See page 13 for additional wiring configurations

#### 4-20mA/0-20mA



If using 1-5V, 0-5V, 2-10V or 0-10V then in the wiring diagram A is replaced by V and Resistor is 10K. For 20 series, must order as Amp or Volt input/output.



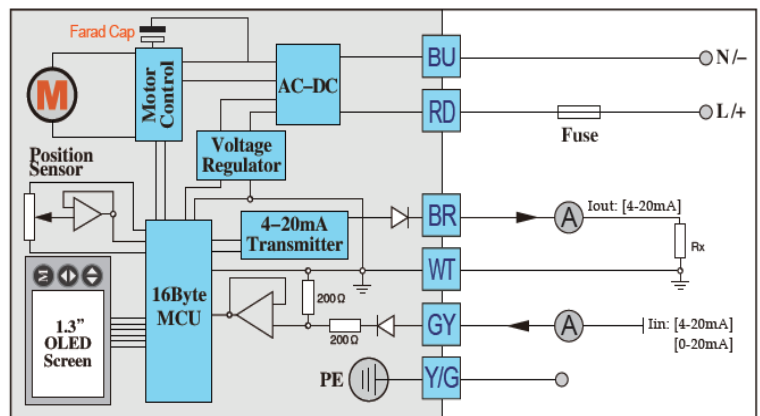
WIRING DIAGRAMS



#### Standard Wiring for our FAILSAFE Actuators S5026

Standard Wiring for our AVA Smart Modulating Failsafe actuators including all voltages, 12VDC, 24VAC/DC and 95-265VAC 50/60Hz. Our Failsafe actuators use a simple 2 wire system for power, 3 wire control and 3 wire feedback connection as below. The Failsafe actuators use capacitors and as such will require an initial charge period. After this point, the actuator will charge whilst opening and on removing power from Pin 2 (Red) the actuator will close. Re applying power to Pin 2 will Open the actuator and again charge the capacitor.

If using 1-5V, 0-5V, 2-10V or 0-10V then in the wiring diagram A is replaced by V and Resistor is 10K. For 20 series, must order as Amp or Volt input/output.





AVA is a revolutionary range of compact actuators offering 20Nm through to 400Nm with On Off, Failsafe, Modulating, Hi Speed functionality. All actuators are IP67 as standard, ISO 5211 direct mount.

## SERIES: AVA-50

### SMART HI SPEED AND MODULATING HI SPEED TECHNICAL DATA

| Model: AVA S5025 50Nm SMART MODULATING & AVA S5025 SMART MODULATING FAILSAFE |   |                        |                        |
|--|---|------------------------|------------------------|
| Specification  | High Voltage  | Low Voltage            |                        |
| Rated Voltage  | 95-265VAC   | 24VAC/DC               | DC12V                  |
| Voltage Range  | 95-265V   | 18-26VAC / 22-32VDC    | 12VDC                  |
| Consumption S5025  | 35W Run / 1.44W hold  | 10.8W Run / 1.92W hold | 10.8W Run / 1.92W hold |
| Peak current S5025   | 35mA @ 5ms @ AC 230V 75ma 110V  | 0.83A @ 5ms DC24V      | 0.83A @ 5ms DC12V      |
| Consumption S5026  | 40W Run / 1.92W Hold  | 39W Run / 1.44W Hold   | 39W Run / 1.44W Hold   |
| Peak current S5026   | 0.18A @ 5ms 230V  | 1.8A @ 5ms 24VDC       | 1.8A @ 5ms 24VDC       |
| Fuse S5025   | 2A  | 4A                     | 4A                     |
| Fuse S5026   | 2A  | 10A                    | 10A                    |
| Maximum Break Torque Nm  | 60Nm  | 60Nm                   | 60Nm                   |
| Run & Reseat Torque Nm   | 50Nm  | 50Nm                   |                        |
| Manual operation   | Yes, by hexagonal wrench (supplied in clip) when no power is being applied                                      |                        |                        |
| Run time 0-90 degree S5025   | 10-12 Seconds   | 10-12 Seconds          | 10-12 Seconds          |
| Run time 0-90 degree S5026   | 10-15 Seconds   | 10-15 Seconds          | 10-15 Seconds          |
| <b>STANDARD FEATURES:</b>  |   |                        |                        |
| Operating frequency  | Not continuous, 75% duty cycle but recommended to allow $\geq 1$ minute between cycles. DC uses Brushless Motor |                        |                        |
| Position confirmation  | Magnetic with digital sensing. No mechanical cams fitted.   |                        |                        |
| Mounting restriction   | None, can be mounted at any angle. Leave room for space to operate manually, and for electrical connection      |                        |                        |
| End Position indication  | Micro-switches operated by adjustable internal cams, set slightly ahead of the final motor stop position.       |                        |                        |
| ISO:5211   | F05 & F07 with 14mm x 17mm deep female drive.   |                        |                        |
| Working Angle  | Factory set at $90^\circ \pm 2^\circ$ , maximum angle of rotation $360^\circ$                                   |                        |                        |
| Smart Screen   | 1.3" Colour OLED screen with touch buttons used for display and menu to customise functionality of actuator     |                        |                        |
| Ingress protection   | IP67  |                        |                        |
| Max media temp   | $\leq 80C$  |                        |                        |
| Ambient temp   | -20 to +60C (ABS) -20 to +80C (Aluminium) Non-operating temp ; $\leq -40C$ to $\geq 80C$                        |                        |                        |
| Cable Length   | Flying lead 0.8m as standard with 7 core cable 0.2mm voltage rated AC300V                                       |                        |                        |
| Ambient humidity   | 5-95% RH non-condensing   |                        |                        |
| Explosion proof  | No, prohibited. Do not use in hazardous areas   |                        |                        |
| Housing  | Plastic (ABS)   |                        |                        |
| Weight   | With standard ABS housing 0.78kg (With optional aluminium housing 0.98kg)                                       |                        |                        |
| Options  | Extended flying lead option, per metre. Alarm output relays. LED Status light.                                  |                        |                        |

ACTUATOR SPECIFICATIONS



T +44 (0)1386 552369

E sales@allvalves.co.uk

W www.allvalves.co.uk

F +44 (0)1386 554227





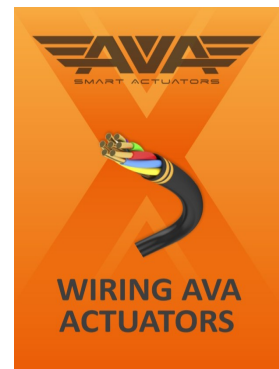
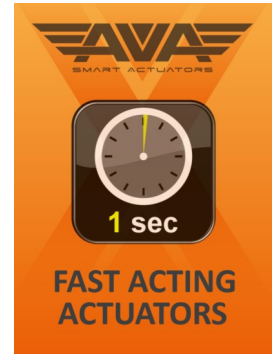
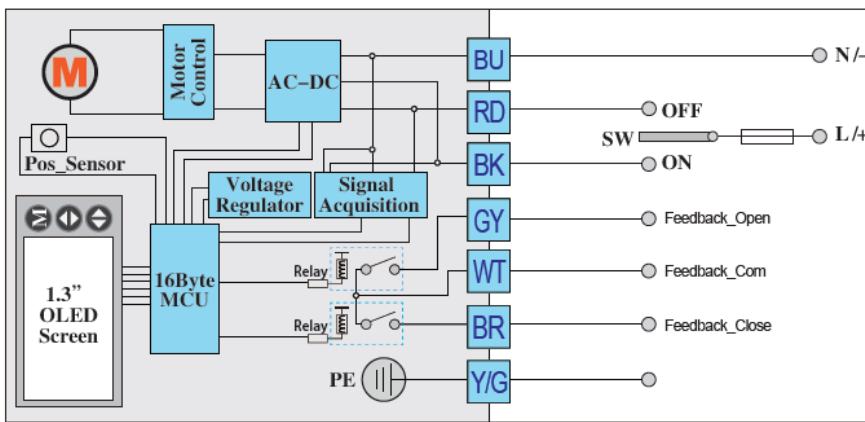
AVA is a revolutionary range of compact actuators offering 20Nm through to 400Nm with On Off, Failsafe, Modulating, Hi Speed functionality. All actuators are IP67 as standard, ISO 5211 direct mount.

## SERIES: AVA-50

### SMART HI SPEED AND MODULATING HI SPEED TECHNICAL DATA

#### Standard Wiring for our ON-OFF Actuators 5019

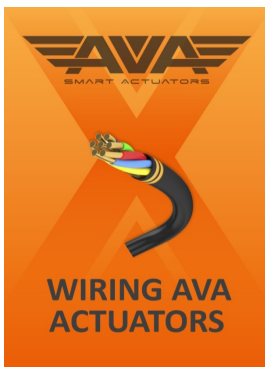
Standard Wiring for our AVA Smart 50 series actuators including all voltages, 12VDC, 24VAC/DC and 95-265VAC 50/60Hz. Our ON-OFF actuators use a simple 3 wire system for control and 3 wire feedback connection as below. Note that the internal Space heater is pre wired and doesn't require additional wiring. When the actuator is powered, the internal heater will operate. **See page 11 for additional wiring configurations**



WIRING DIAGRAMS

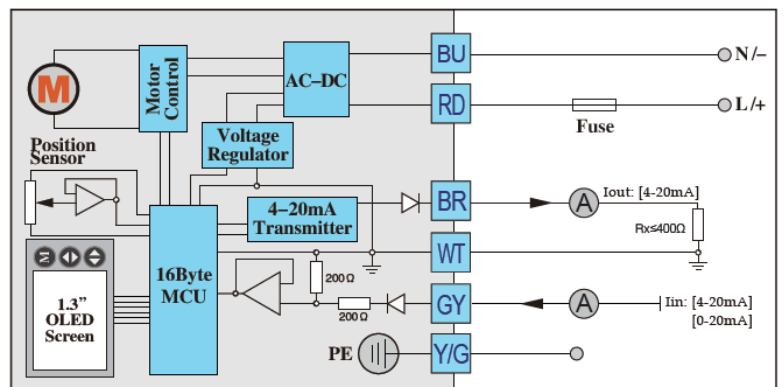
#### Standard Wiring for our Hi Speed Modulating Actuators S5029

Standard Wiring for our AVA Smart 20 series actuators including all voltages, 12VDC, 24VAC/DC and 95-265VAC 50/60Hz. Our ON-OFF actuators use a simple 2 wire system for power and 3 wire control and feedback connection as below and 3 wire input/ output and common loop for modulating control. Note that the internal Space heater is pre wired and doesn't require additional wiring. When the actuator is powered, the internal heater will operate. **See page 11 for additional wiring configurations**



If using 1-5V, 0-5V, 2-10V or 0-10V then in the wiring diagram A is replaced by V and Resistor is 10K. For 20 series, must order as Amp or Volt input/output.

#### 4-20mA/0-20mA





AVA is a revolutionary range of compact actuators offering 20Nm through to 400Nm with On Off, Failsafe, Modulating, Hi Speed functionality. All actuators are IP67 as standard, ISO 5211 direct mount.

**SERIES: AVA-50**

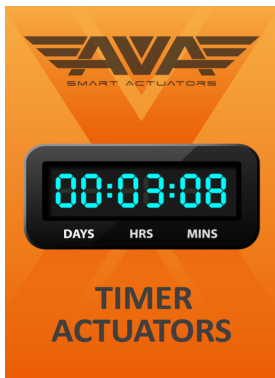
## WHAT ELSE IS AVAILABLE FROM AVA ?

### WIRELESS RF ACTUATORS

Available for the smart actuators that we offer, AVA offer a wireless controlled actuator that is using the latest technology in RF control. Using our smart actuators we are able to give open and close functionality over large distances uses a number of wireless / RF technologies. This is mainly designed for applications where long distance control is needed and where power is available but control is not, such as out buildings. The wireless control can be a 1 to 1 connection or 1 to 10 connection for example. Call your AVA sales team for more information.



ADDITIONAL FUNCTIONALITY FROM AVA



### TIMER ACTUATOR SERIES

AVA have a very unique offering in our Timer series actuators. The AVA Smart actuators use the onboard firmware and menu system to give the customer a programmable timer function within the actuator. The user can set various methods of opening and closing for example either as a PULSE timer (power open, wait a set period of time and automatically close) or DAY timer which allows a schedule of operations to be setup via the intuitive menu system. This actuator series removes the need of PLC's to control your actuator. All you need is power.

### TIMER ACTUATOR SERIES

AVA have a very unique offering in our Timer series actuators. The AVA Smart actuators use the onboard firmware and menu system to give the customer a programmable timer function within the actuator. The user can set various methods of opening and closing for example either as a PULSE timer (power open, wait a set period of time and automatically close) or DAY timer which allows a schedule of operations to be setup via the intuitive menu system. This actuator

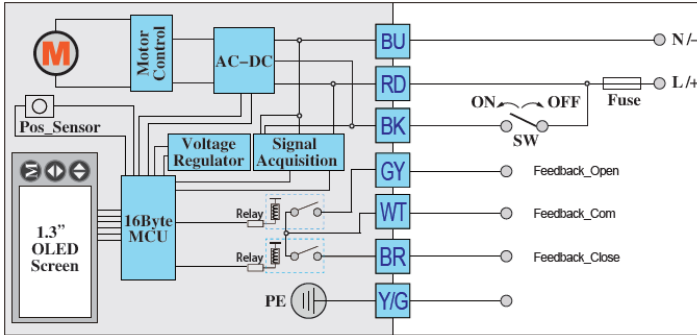


AVA is a revolutionary range of compact actuators offering 20Nm through to 400Nm with On Off, Failsafe, Modulating, Hi Speed functionality. All actuators are IP67 as standard, ISO 5211 direct mount.

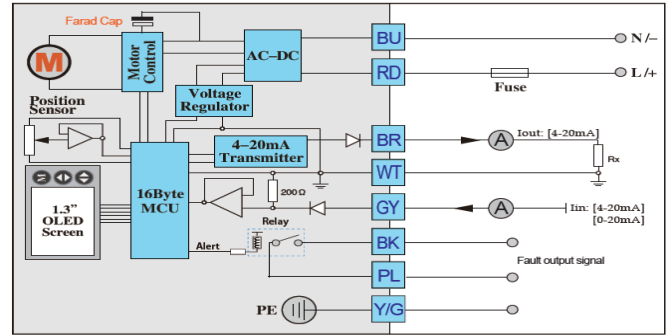
## SERIES: AVA-50

### ALTERNATIVE WRING CONFIGURATIONS AVAILABLE FROM AVA

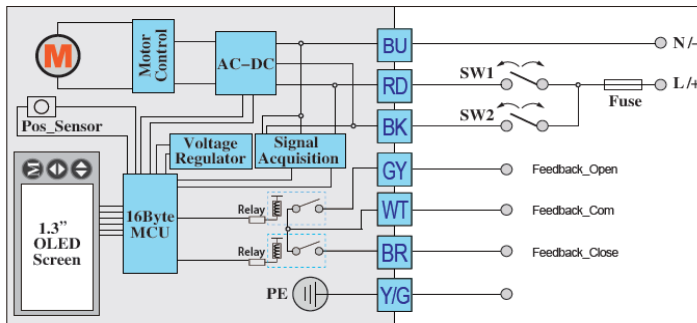
ACTUATOR WIRING OPTIONS



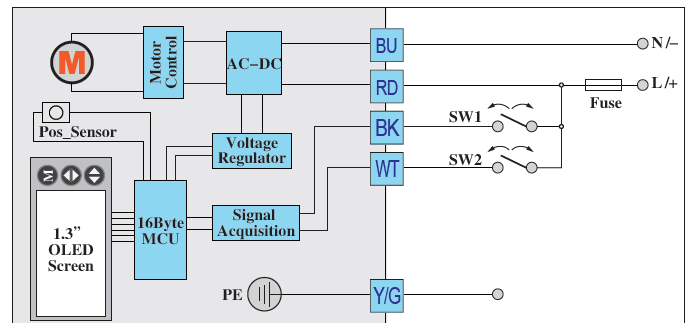
Wiring G: BD3J - SPST / Relay Position Confirmation



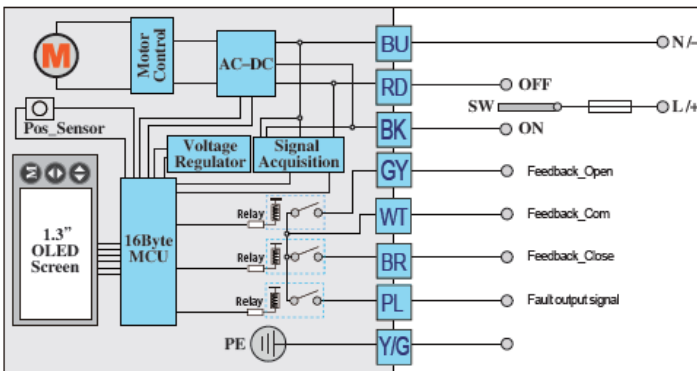
Wiring P2: 4-20ma Failsafe with alarm output



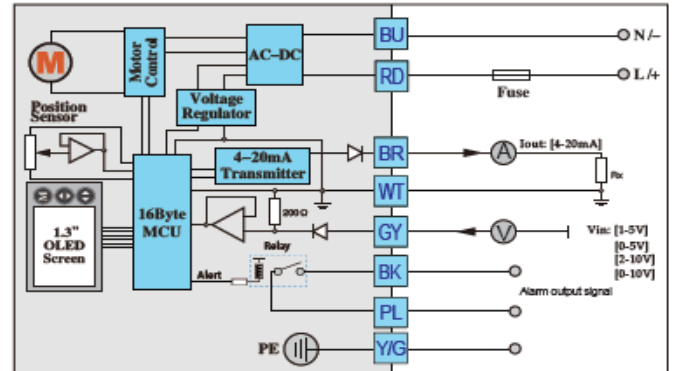
Wiring J: B3J2 2 x SPST / Relay Position Confirm (3 position)



Wiring M: B4J SPST / No position confirmation (4 position)



Wiring F: B3JA 2 x SPDT/Relay Position Confirm + Alarm Output



Wiring U5: 0-10V Control/ Feedback with Alarm Output

### AVA Wiring Options

As you will see from the previous page, our AVA electric actuators are capable of various wiring configurations based on what your application requires. As detailed, our standard for our Basic actuators is what we call B - B3S which is a SPDT with volt free position confirmation. Our Smart actuators use E - B3J which is SPDT Relay position confirmation. Remember that all of our Smart units don't use mechanical cams and micro switches. A digital encoder and relays are used. The following are some of the additional wiring diagrams that you might find of interest, that are available for our Smart actuators including 3 and 4 position wiring configurations. **Check with your AVA reseller for lead time on non stock wiring configurations.**



T +44 (0)1386 552369

W www.allvalves.co.uk

E sales@allvalves.co.uk

F +44 (0)1386 554227